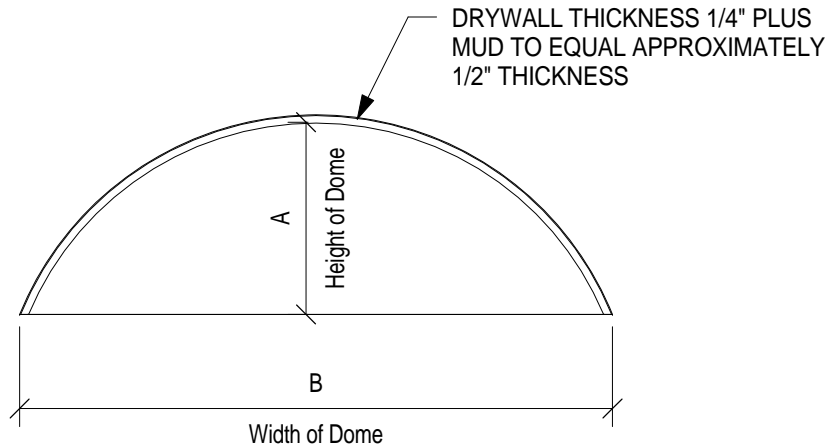
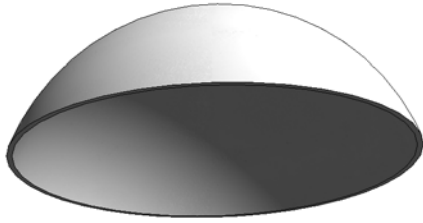


curved

Build outside
the box.

walls
inc.



Dome

TO USE REVIT FAMILY:

- INSERT COMPONENT INTO PROJECT
- CREATE TYPES AS REQUIRED TO SUIT PROJECT, FOLLOWING THE PARAMETERS BUILT INTO EACH FAMILY.
- TOGGLE DETAIL LEVELS TO VIEW DETAIL COMPONENTS.
- FAMILY MATERIAL IS "GYPSUM WALL BOARD - CURVED WALLS"

| Length 'A' | Length 'B' | Quantity | Drywall Thickness | Comments |
|------------|------------|----------|-------------------|----------|
| | | | | |
| | | | | |
| | | | | |
| | | | | |
| | | | | |

Dome